

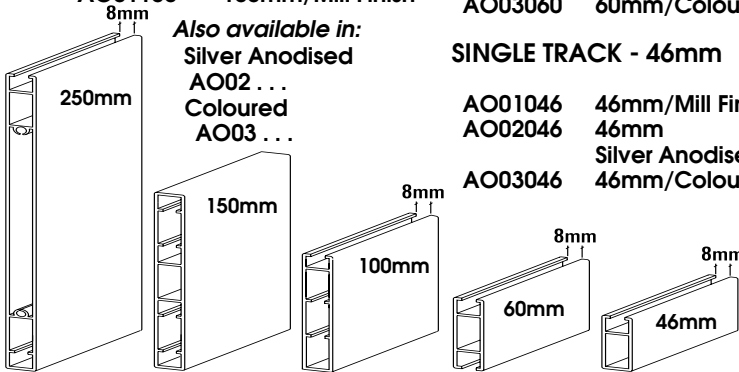
Module Plus Outdoor

by CoSign

DOUBLE SIDED SIGN PANEL

AO01250 250mm/Mill Finish
AO01150 150mm/Mill Finish
AO01100 100mm/Mill Finish

Also available in:
Silver Anodised
AO02...
Coloured
AO03...



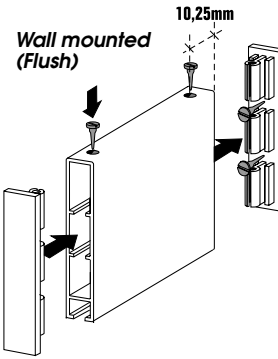
DOUBLE SIDED SIGN SUPPORTS

DOUBLE TRACK - 60mm

AO01060 60mm/Mill Finish
AO02060 60mm Silver Anodised
AO03060 60mm/Coloured

SINGLE TRACK - 46mm

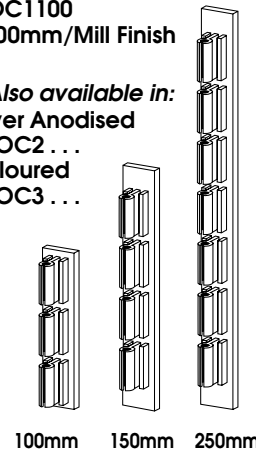
AO01046 46mm/Mill Finish
AO02046 46mm Silver Anodised
AO03046 46mm/Coloured



ALUMINIUM END CAPS

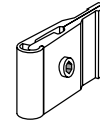
AOC1250 250mm/Mill Finish
AOC1150 150mm/Mill Finish
AOC1100 100mm/Mill Finish

Also available in:
Silver Anodised
AOC2...
Coloured
AOC3...



PANEL CLAMP

AACL001
with STEEL
or INOX
SCREW



CIRCULAR POST CAP Ø 60 mm

PLASTIC

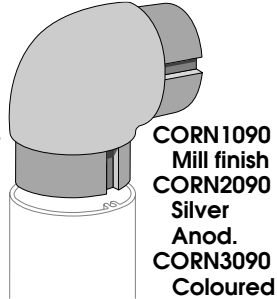
AOT6001 White
AOT6002 Grey
AOT6003 Black

ALUMINIUM

AOT6011 Mill Finish
AOT6012 Silver Anod.
AOT6013 Coloured

ALUMINIUM

AOT1090 Mill finish
AOT2090 Silver Anod.
AOT3090 Coloured



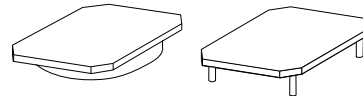
OCTAGONAL POST CAP Ø 80 mm

PLASTIC

AOT8081 White
AOT8082 Grey
AOT8083 Black

ALUMINIUM

AOT9001 Mill Finish
AOT9002 Silver Anod.
AOT9003 Coloured

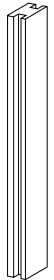


PLASTIC SCREW CAP

NOP001 White
NOP002 Grey
NOP003 Black

POST INSERT

AOC0100 Mill Finish
AOC0200 Silver Anodised
AOC0300 Coloured



CIRCULAR POST Ø 60 mm

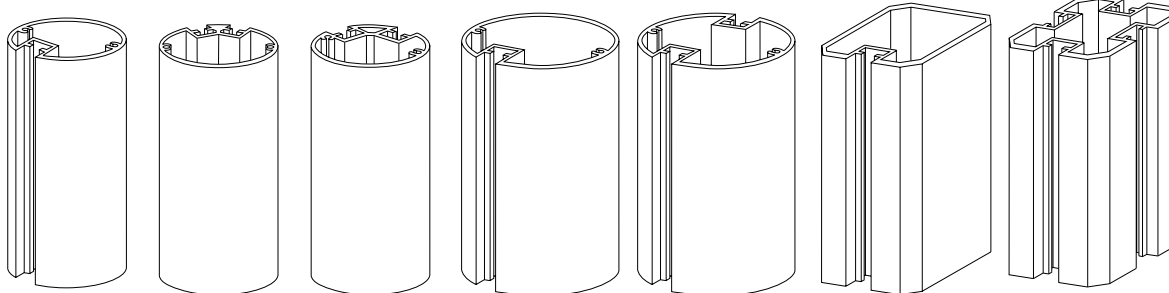
SINGLE-SLOT	2-SLOT 60°	2-SLOT 90°
AO016001T Mill Finish	AO016602T Mill Finish	AO016002T Mill Finish
AO026001T Silver Anod.	AO026602T Silver Anod.	AO026002T Silver Anod.
AO036001T Coloured	AO036602T Coloured	AO036002T Coloured

CIRCULAR POST Ø 90 mm

SINGLE-SLOT	2-SLOT 180°
AO019001T Mill Finish	AO019002T Mill Finish
AO029001T Silver Anod.	AO029002T Silver Anod.
AO039001T Coloured	AO039002T Coloured

OCTAGONAL POST 80 mm

SINGLE-SLOT	4-SLOT
AO018081T Mill Finish	AO018084T Mill Finish
AO028081T Silver Anod.	AO028084T Silver Anod.
AO038081T Coloured	AO038084T Coloured



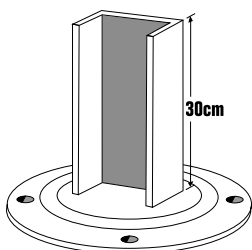
POST ADAPTER

ADAPTER10 Mill Finish
ADAPTER20 Silver Anodised
ADAPTER30 Coloured



CIRCULAR POST FOOT

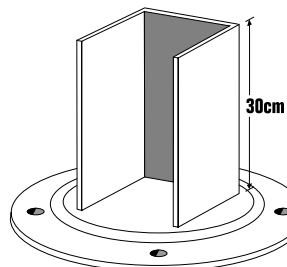
Ø 60 mm
FEE1600 Mill Finish
FEE3600 Coloured



CIRCULAR POST FOOT

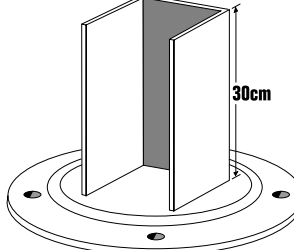
Ø 90 mm SINGLE-SLOT
FEE19001T Mill Finish

Ø 90 mm 2-SLOT
FEE19002T Mill Finish

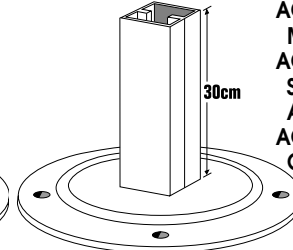


OCTAGONAL POST FOOT

Ø 80 mm
FEE18081T Mill Finish
FEE38081T Coloured



Ø 80 mm
FEE18084T Mill Finish
FEE38084T Coloured



POST & BOX INSERT REDUCTION SECTION

PVC PANEL 4mm

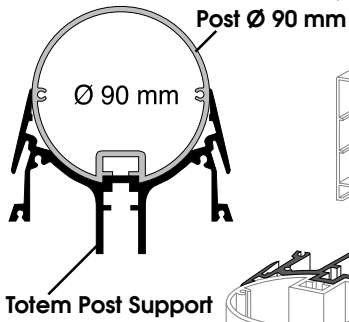
AOR0100 Mill Finish
AOR0200 Silver Anodised
AOR0300 Coloured



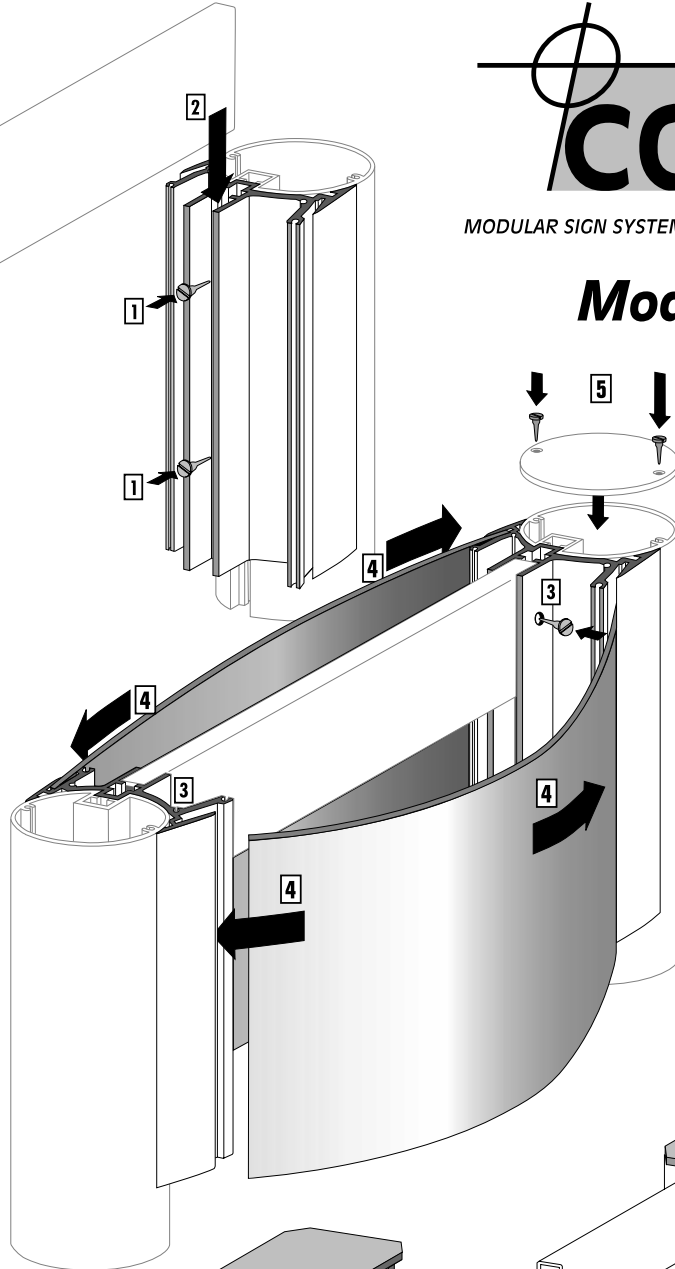
TOTEM POST SUPPORT

TOT1090 Mill Finish
 TOT2090 Silver Anodised
 TOT3090 Coloured

NEW!



**Module Plus
 Outdoor**
 by CoSign

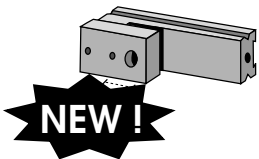


COSIGN N.V.
 INDUSTRIEPARK 32 B
 3290 DIEST - BELGIUM

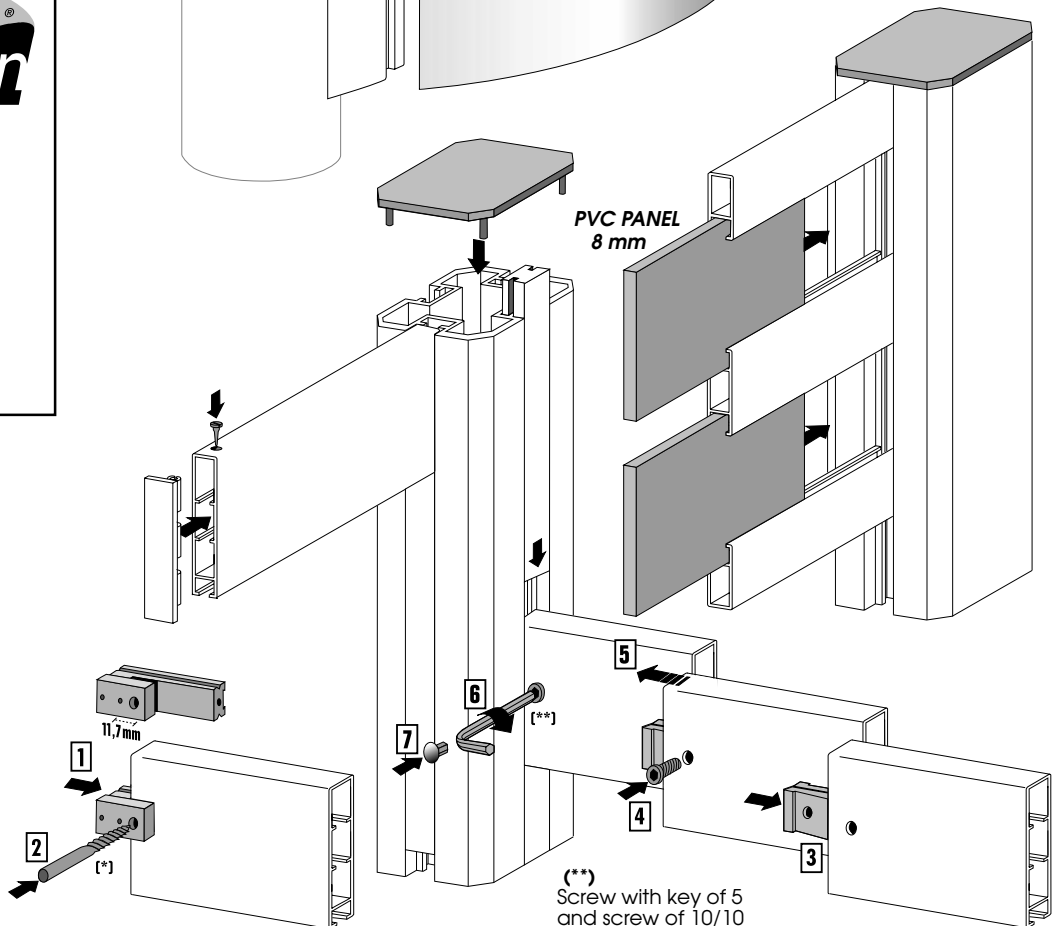
TEL. 0032 (0)13-35.10.30
 FAX 0032 (0)13-35.10.31
 E-mail: info@cosign.be
 Website: www.cosign.be

DRILL GUIDE

TOOL 001



(*) for Ø 60/80/90 mm POST
 Drill Ø 10 mm at 11,7 mm of the cutting, at the middle of the insertchamber of the profile.



ELLIPTICAL POST

BASIC POST

ELP1000 Mill Finish
ELP2000 Silver Anodised
ELP3000 Coloured

HINGE POST

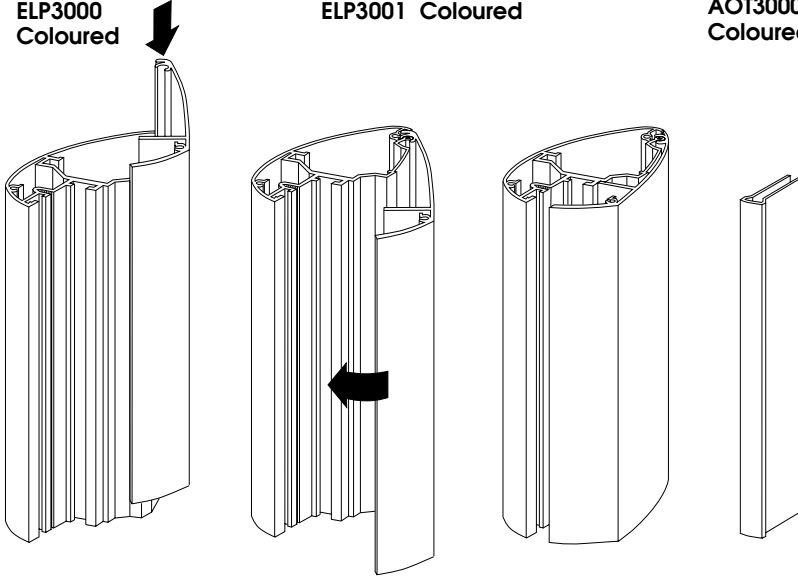
ELP1001 Mill Finish
ELP2001 Silver Anodised
ELP3001 Coloured

ELLIPTICAL POST CAP

AOT1000 Mill Finish
AOT2000 Silver Anodised
AOT3000 Coloured



**Module Plus
Outdoor**
by CoSign



ELLIPTICAL POST INSERT

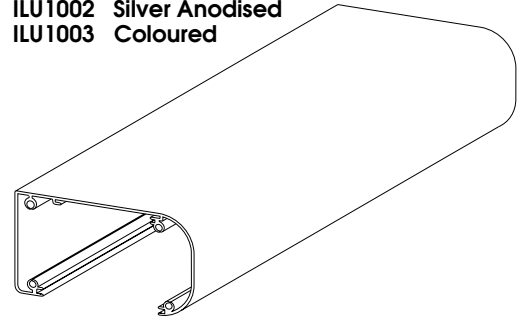
AOC1000 Mill Finish
AOC2000 Silver Anodised
AOC3000 Coloured

THE ELLIPTICAL POST IS COMPOSED IN 4 PARTS:

1. ELP1000 = elliptical basic post
2. ELP1001 = elliptical hinge post
3. AOC1000 = elliptical post insert
4. AOT1000 = elliptical post cap

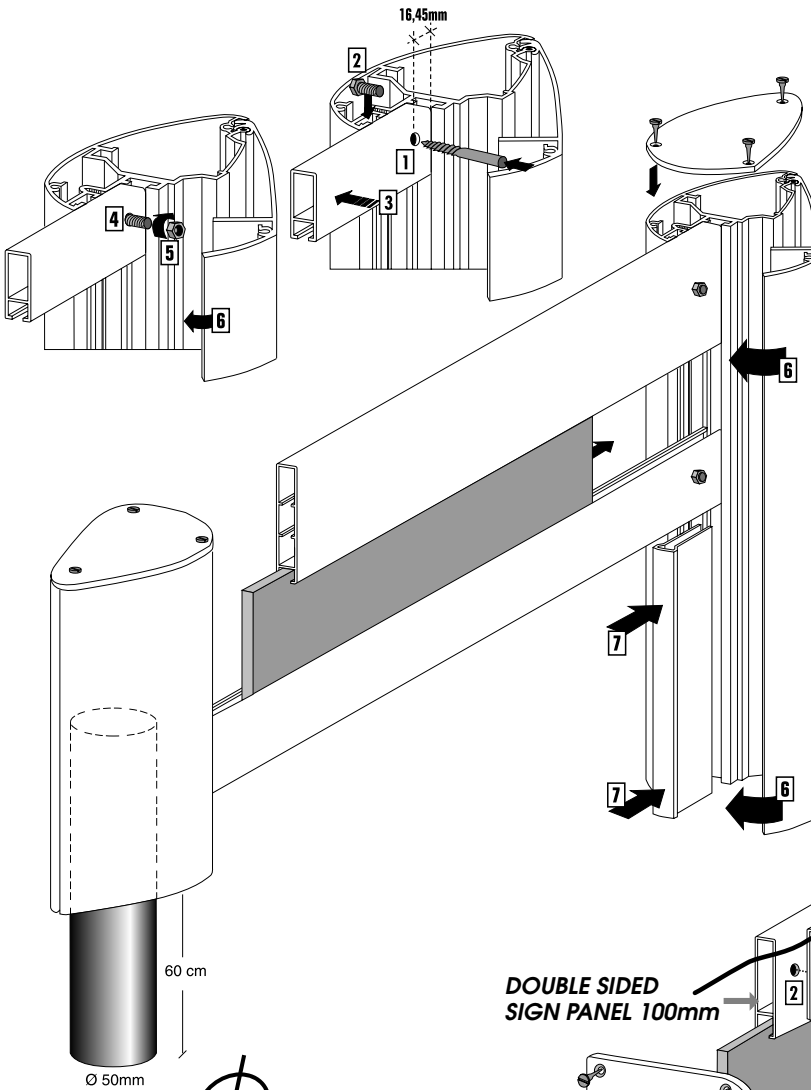
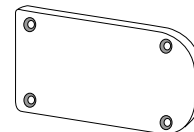
ILLUMINATOR PROFILE

ILU1001 Mill Finish
ILU1002 Silver Anodised
ILU1003 Coloured



ILLUMINATOR END CAP

ILU1010 Mill Finish
ILU1011 Silver Anodised
ILU1012 Coloured



NEON TUBE

DOUBLE SIDED
SIGN PANEL 100mm

PVC
PANEL

END CAP

SINGLE TRACK
46mm

